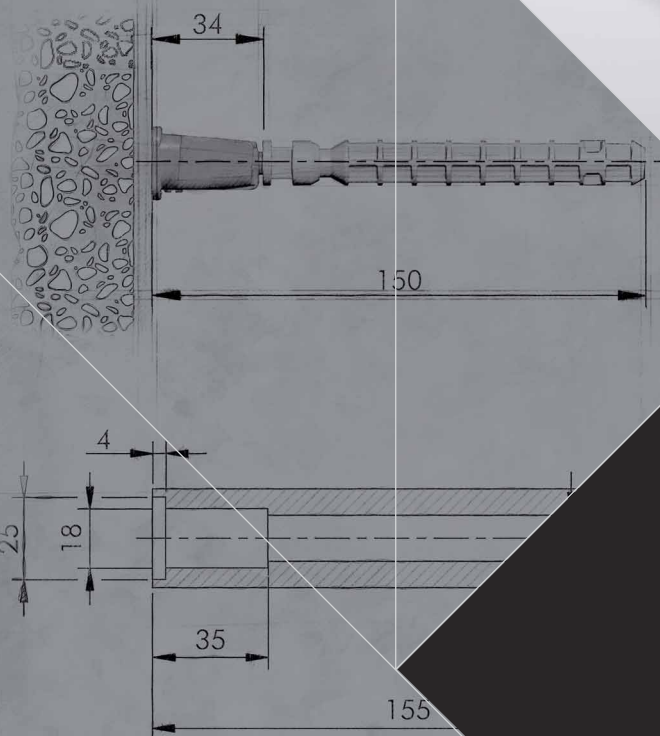
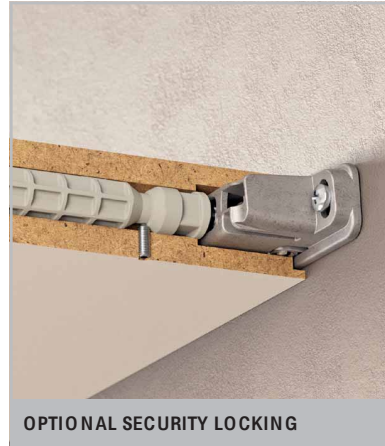


TRIAD PRO SYSTEM

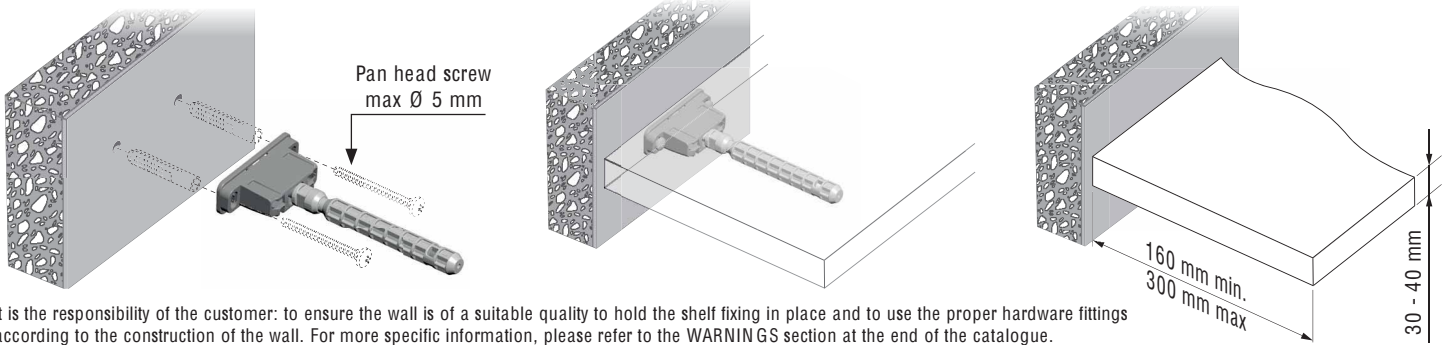


WOOD & GLASS
SHELVING
SYSTEMS

TRIADE PRO

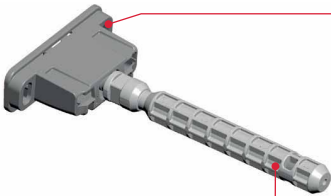


SPECIFICATION



It is the responsibility of the customer: to ensure the wall is of a suitable quality to hold the shelf fixing in place and to use the proper hardware fittings according to the construction of the wall. For more specific information, please refer to the WARNINGS section at the end of the catalogue.

ADJUSTMENT

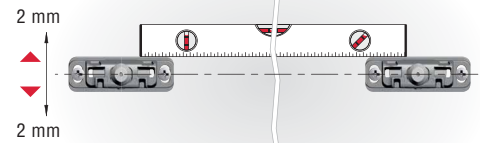
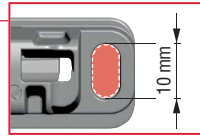


VERY IMPORTANT

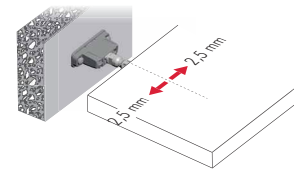
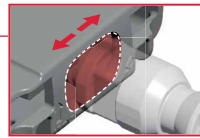


Screw to lock when adjustments are finished.

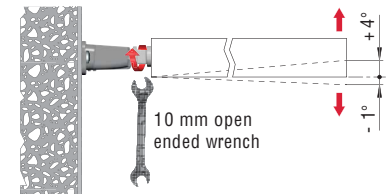
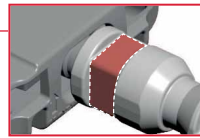
BRACKET ALIGNMENT



LATERAL ADJUSTMENT

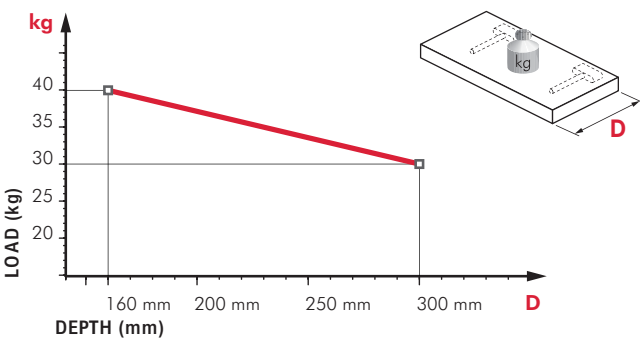


INCLINATION ADJUSTMENT

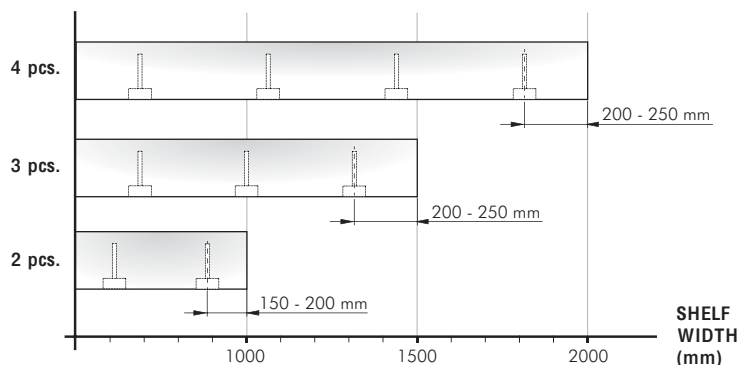


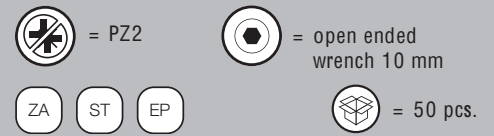
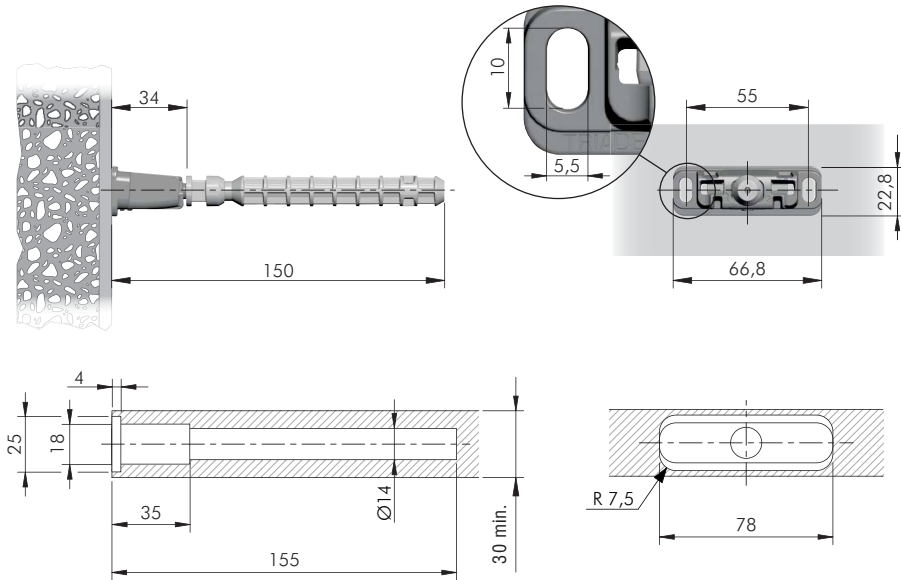
LOADING CAPACITY CHART

(The figures refer to 2 shelf supports)



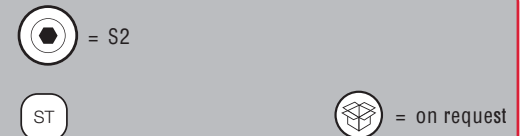
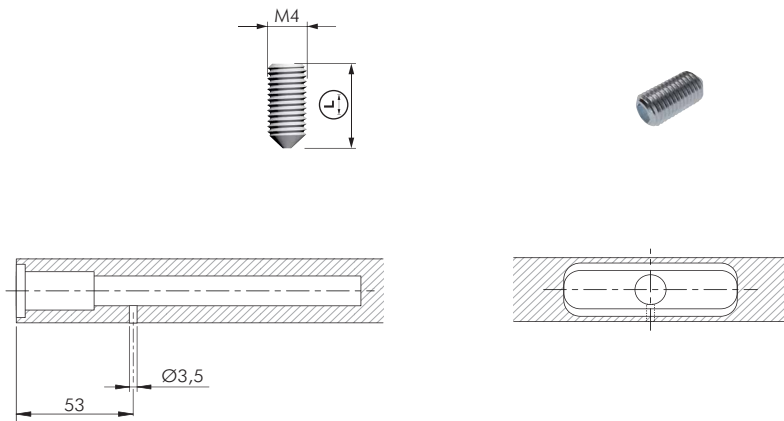
RECOMMENDED NUMBER OF TRIADE PRO PER SHELF





1623002000

OPTIONAL DRILLING FOR SECURITY LOCKING



21105180ZN



10

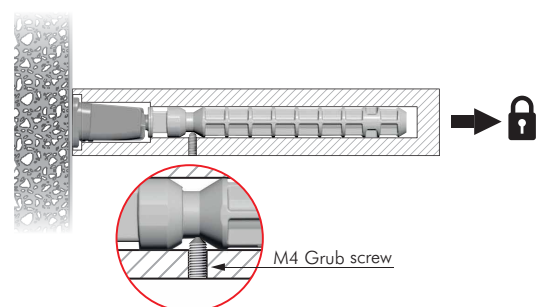
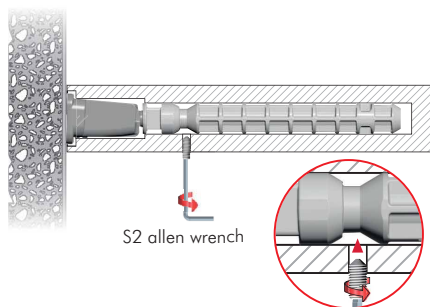


30

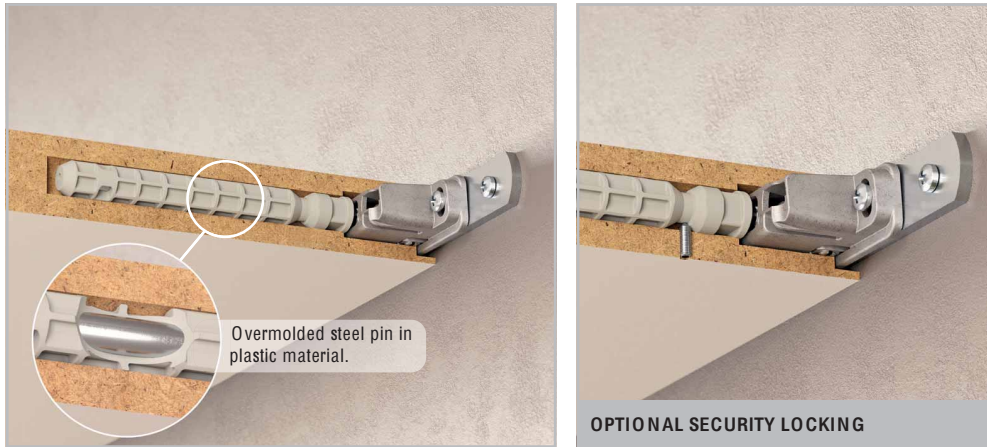
21105220ZN

16

40

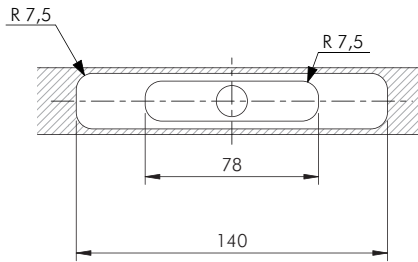
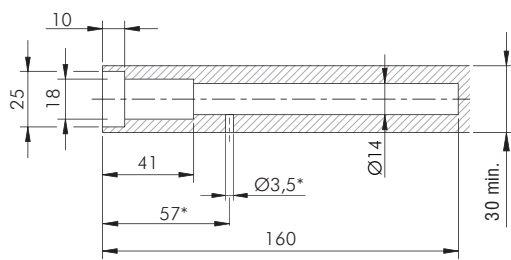


TRIADE PRO AND BRACKET

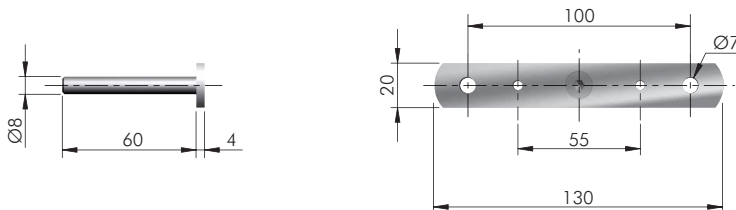


The wall bracket guarantees a more stable fixing to the wall.

It is the responsibility of the customer: to ensure the wall is of a suitable quality to hold the shelf fixing in place and to use the proper hardware fittings according to the construction of the wall. For more specific information, please refer to the WARNINGS section at the end of the catalogue.



* Optional drilling for security locking with M4 grub screw placed underneath in alignment with the cavity. For details refer to Triade Pro section.



FIXING ACCESSORY



ST = 100 pcs.

123 **16215020ZN**

= M5 = PZ2

ST = 500 pcs.

123 **60334030ZN**