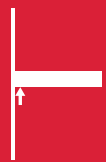
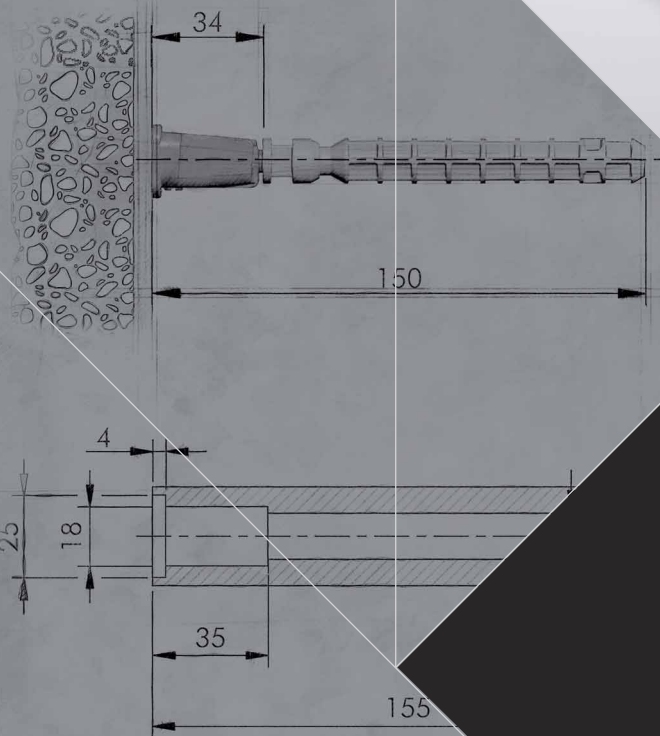
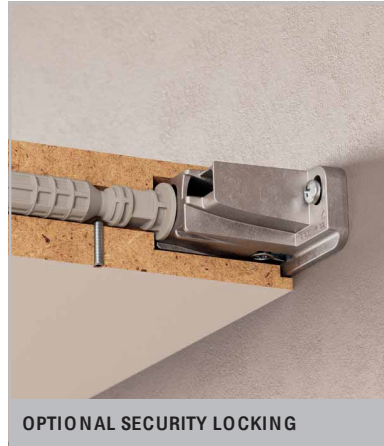


TRIAD E PRO SYSTEM



WOOD & GLASS
SHELVING
SYSTEMS

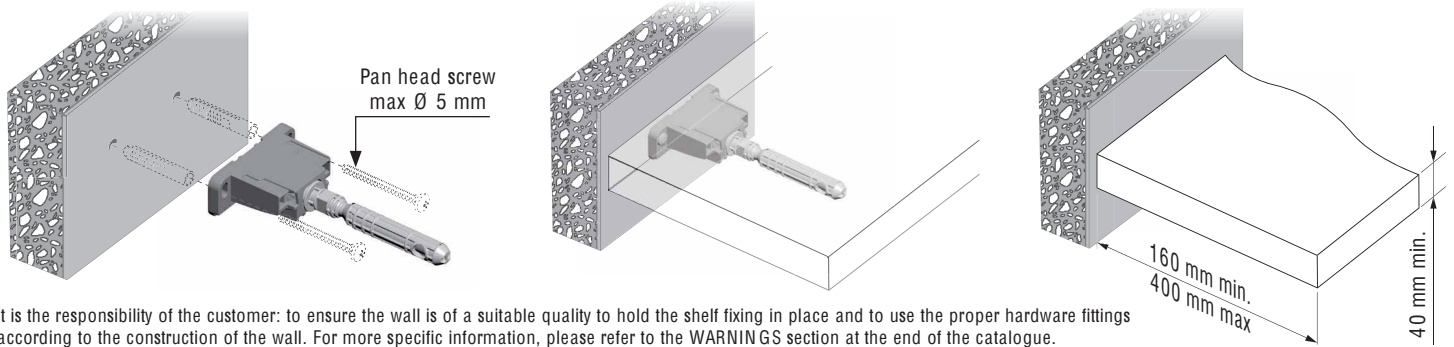
TRIADE PRO MAXI



40 mm min.

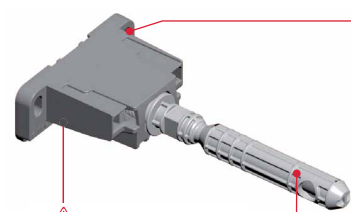
40 kg per pair for shelf 400 mm deep

SPECIFICATION



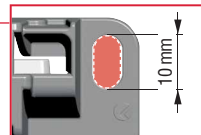
It is the responsibility of the customer: to ensure the wall is of a suitable quality to hold the shelf fixing in place and to use the proper hardware fittings according to the construction of the wall. For more specific information, please refer to the WARNINGS section at the end of the catalogue.

ADJUSTMENT

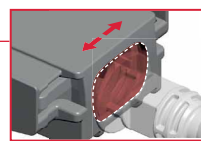


Screw to lock when adjustments are finished.

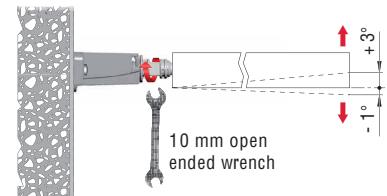
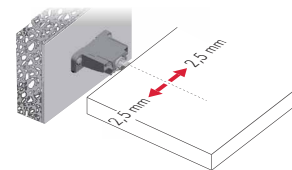
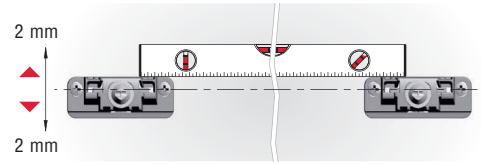
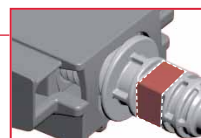
BRACKET ALIGNMENT



LATERAL ADJUSTMENT

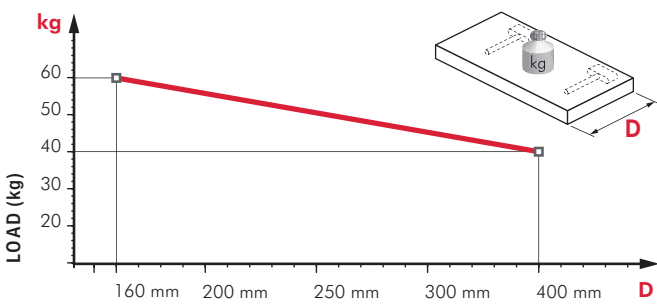


INCLINATION ADJUSTMENT

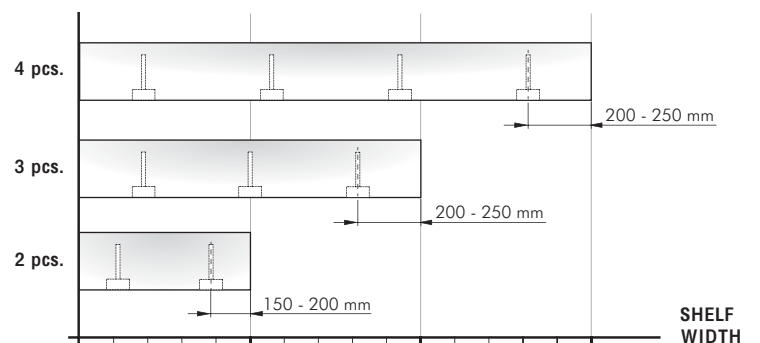


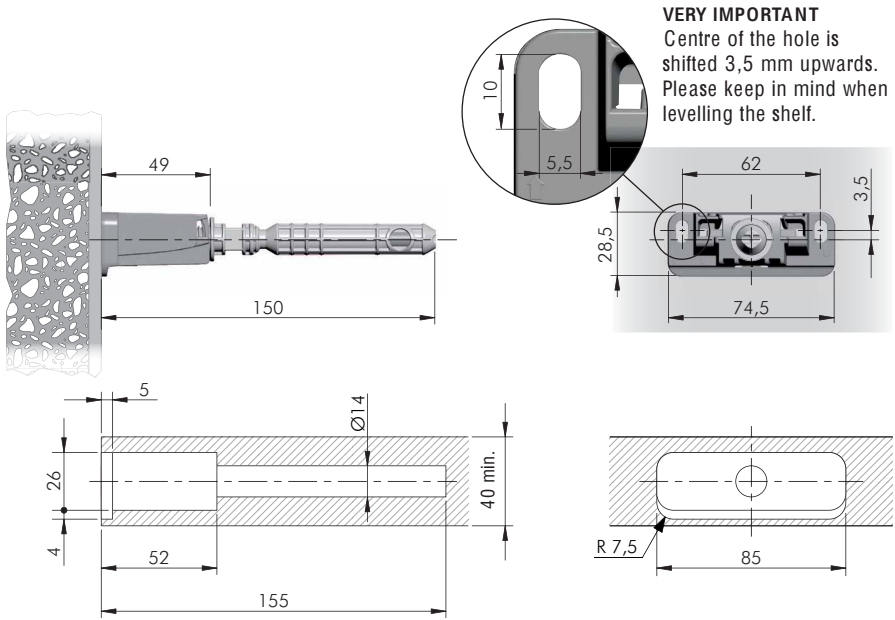
LOADING CAPACITY CHART

(The figures refer to 2 shelf supports)



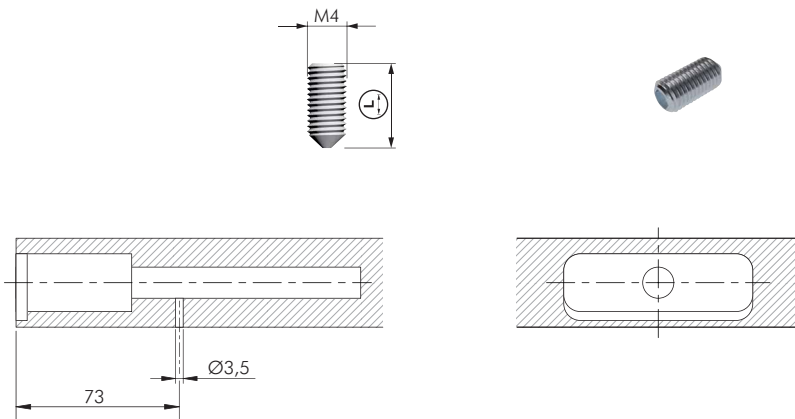
RECOMMENDED NUMBER OF TRIADE PRO MAXI PER SHELF



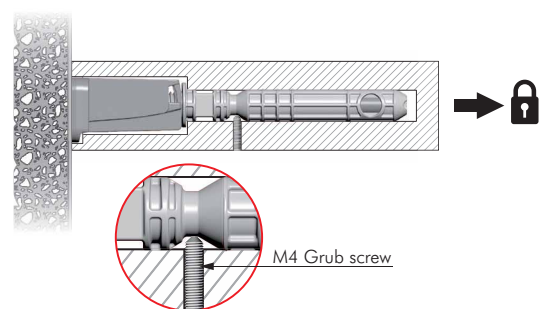
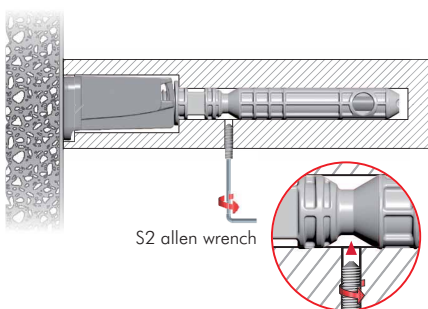


= PZ2	= open ended wrench 12 mm		
ZA	ST	EP	= 50 pcs.
		1623003000	

OPTIONAL DRILLING FOR SECURITY LOCKING



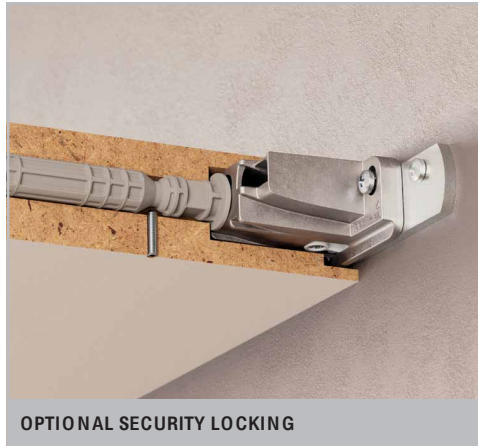
= S2	= on request	
ST		
21105220Z ^N	16	40
21105060Z ^N	20	50



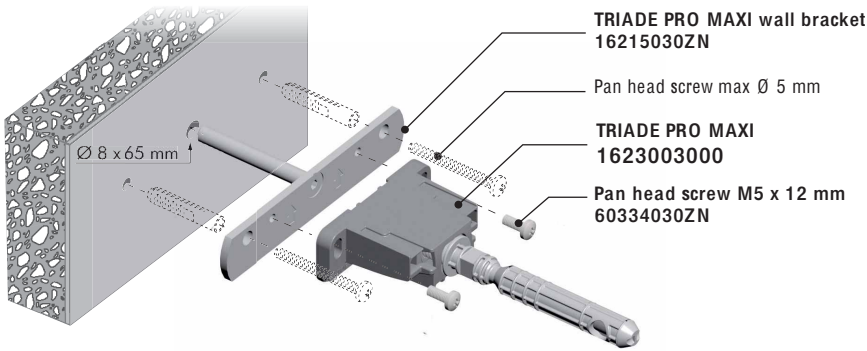
TRIADE PRO MAXI AND BRACKET



Overmolded steel pin in plastic material.



OPTIONAL SECURITY LOCKING

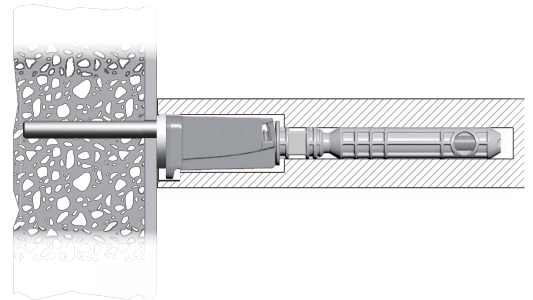


TRIADE PRO MAXI wall bracket
16215030ZN

Pan head screw max Ø 5 mm

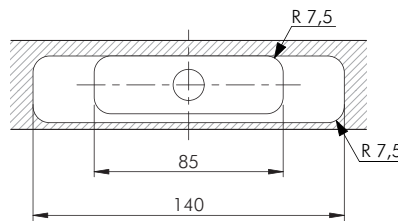
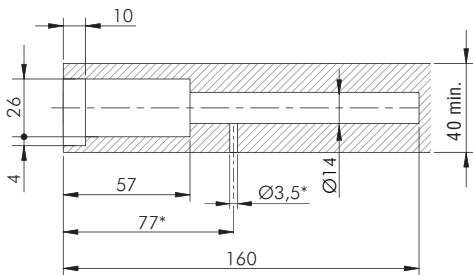
TRIADE PRO MAXI
1623003000

Pan head screw M5 x 12 mm
60334030ZN

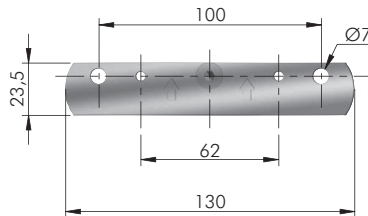
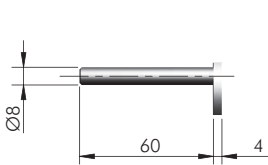


The wall bracket guarantees a more stable fixing to the wall.

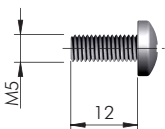
It is the responsibility of the customer: to ensure the wall is of a suitable quality to hold the shelf fixing in place and to use the proper hardware fittings according to the construction of the wall. For more specific information, please refer to the WARNINGS section at the end of the catalogue.



* Optional drilling for security locking with M4 grub screw placed underneath in alignment with the cavity. For details refer to Triade Pro Maxi section.



FIXING ACCESSORY



ST = 100 pcs.

123

16215030ZN

= M5 = PZ2

ST = 500 pcs.

123

60334030ZN